

### #153 Mechanical Seal Options

331655 (Std.) Cast Iron Stationary Seat, Carbon Seal Face, FKM O-Rings. (IVCV)

331601 Cast Iron Stationary Seat, Carbon Seal Face, Buna-N O-Rings. (INCN)

331673 Cast Iron Stationary Seat, PTFE O-Ring, Carbon Seal Face w/ PTFE Seal Ring. (IACT)

331648 Stainless Steel Stationary Seat, PTFE O-Ring, Carbon Seal Face w/ PTFE Seal Ring. (WACT)

Please call for mechanical seals not listed. There are many more configurations.

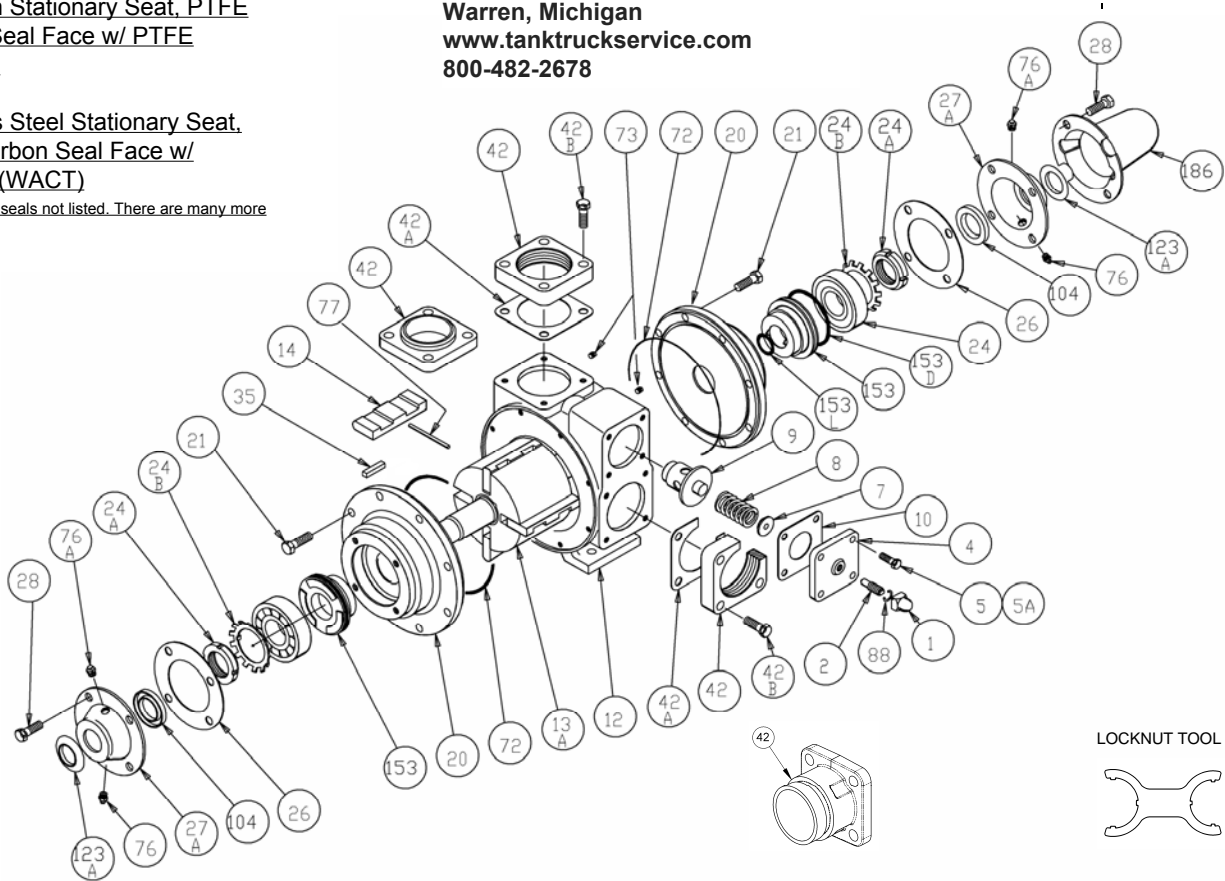
# BLACKMER PARTS LIST

## PUMP MODELS TXD2A (DOUBLE ENDED SHAFT)

## TX2A (SINGLE ENDED SHAFT)

EFFECTIVE MARCH, 2012

Tank Truck Service & Sales, Inc.  
Warren, Michigan  
www.tanktruckservice.com  
800-482-2678



| Ref. No. | Description                      | Parts Per Pump | Part No.            | Ref. No. | Description   | Parts Per Pump         | Part No.              |   |                     |
|----------|----------------------------------|----------------|---------------------|----------|---|------------------------|-----------------------|---|---------------------|
| 1        | Cap – Relief Valve (R/V)         | 1              | 411453              | 24B      | Lock washer - Bearing                                   | 2                      | <sup>4</sup> 903522   |   |                     |
| 2        | Adjusting Screw – R/V            | 1              | 431401              | 26       | Gasket – Bearing Cover                                  | 1 - 2                  | <sup>1</sup> 381406   |   |                     |
| 4        | Cover – R/V                      | 1              | 411401              | 27A      | Bearing Cover   | 1 - 2                  | 041431                |   |                     |
| 5        | Capscrew – R/V Cover             | 3              | 920316              |          | Bearing Cover – Outboard                                | 0 - 1                  | 041433                |   |                     |
| 5A       | Capscrew w / Hole – R/V Cover    | 1              | 920310              | 28       | Capscrews – Bearing Cover                               | 8                      | 920285                |   |                     |
| 7        | Spring Guide – R/V               | 1              | 423955              | 35       | Key – Shaft Square                                      | 1                      | <sup>1,6</sup> 909209 |   |                     |
| 8        | Spring – R/V (36-50 psi)         | 1              | 471415              | 42 –     | Flanges, Flange Gaskets / O-rings, and Flange Capscrews |                        | See Backside          |   |                     |
|          | Spring – R/V (51-75 psi)         |                | 471420              | 42C      |   |                        |                       |   |                     |
|          | Spring – R/V (76-110 psi) (Std.) |                | 471425              | 72       |   | O-Ring – Head (FKM)    |                       | 2 | <sup>1</sup> 701914 |
|          | Spring – R/V (111-125 psi)       |                | 471428              |          |   | O-Ring – Head (Buna-N) |                       |   | <sup>1</sup> 701947 |
| 9        | Valve – R/V <sup>5</sup>         | 1              | 451417              |          | O-Ring – Head (PTFE)                                    |                        | 702242                |   |                     |
|          | Valve – R/V (Ni Plated)          |                | 451415              | 73       | Gage Plug   | 2                      | 908198                |   |                     |
| 10       | Gasket – R/V Cover               | 1              | <sup>1</sup> 531403 | 76       | Grease Fitting  | 2                      | 317815                |   |                     |
| 12       | Cylinder                         | 1              | 021403              | 76A      | Grease Relief Fitting                                   | 2                      | 701992                |   |                     |
| 13A      | Rotor & Shaft – Double Ended     | 1              | <sup>2</sup> 261411 | 77       | Push Rod  | 2                      | <sup>1</sup> 123905   |   |                     |
|          | Rotor & Shaft – Single Ended     |                | <sup>2</sup> 261426 | 88       | Gasket – R/V Cap  | 1                      | <sup>1</sup> 701981   |   |                     |
| 14       | Vane – Duravane                  | 4              | <sup>1</sup> 091419 | 104      | Grease Seal   | 1 - 2                  | <sup>1</sup> 331918   |   |                     |
| 20       | Head (Std.)                      | 2              | 031425              | 123A     | Dirt Shield   | 1 - 2                  | <sup>1</sup> 701480   |   |                     |
|          | Head with Drain                  |                | 031426              | 186      | Shaft Protector   | 0 - 1                  | 341601                |   |                     |
| 21       | Capscrews – Head                 | 16             | 920331              |          | Air Valve Kit   |                        | 891454                |   |                     |
| 24       | Ball Bearing                     | 2              | <sup>1</sup> 903156 |          | Tool - Locknut  |                        | 903091                |   |                     |
| 24A      | Locknut - Bearing                | 2              | <sup>4</sup> 903521 |          | Maintenance Kit, FKM                                    |                        | 898956                |   |                     |
|          |                                  |                |                     |          | Maintenance Kit, Buna                                   |                        | 898950                |   |                     |

<sup>1</sup> Included in Maintenance Kit

<sup>2</sup> Includes 24A & 24B

<sup>4</sup> Earlier models were not fitted with locknuts and lock washers.

The current rotor / shaft with locknuts and lock washers may be fitted in place of shafts without locknuts and lock washers.

<sup>5</sup> For Piston Style Air Operated RV see IOM 201-G00, Diaphragm Air RV – 201-F00, DMX Diaphragm RV – 201B-B00.

<sup>6</sup> Maintenance Kit also includes Woodruff Key 909130 used previously.

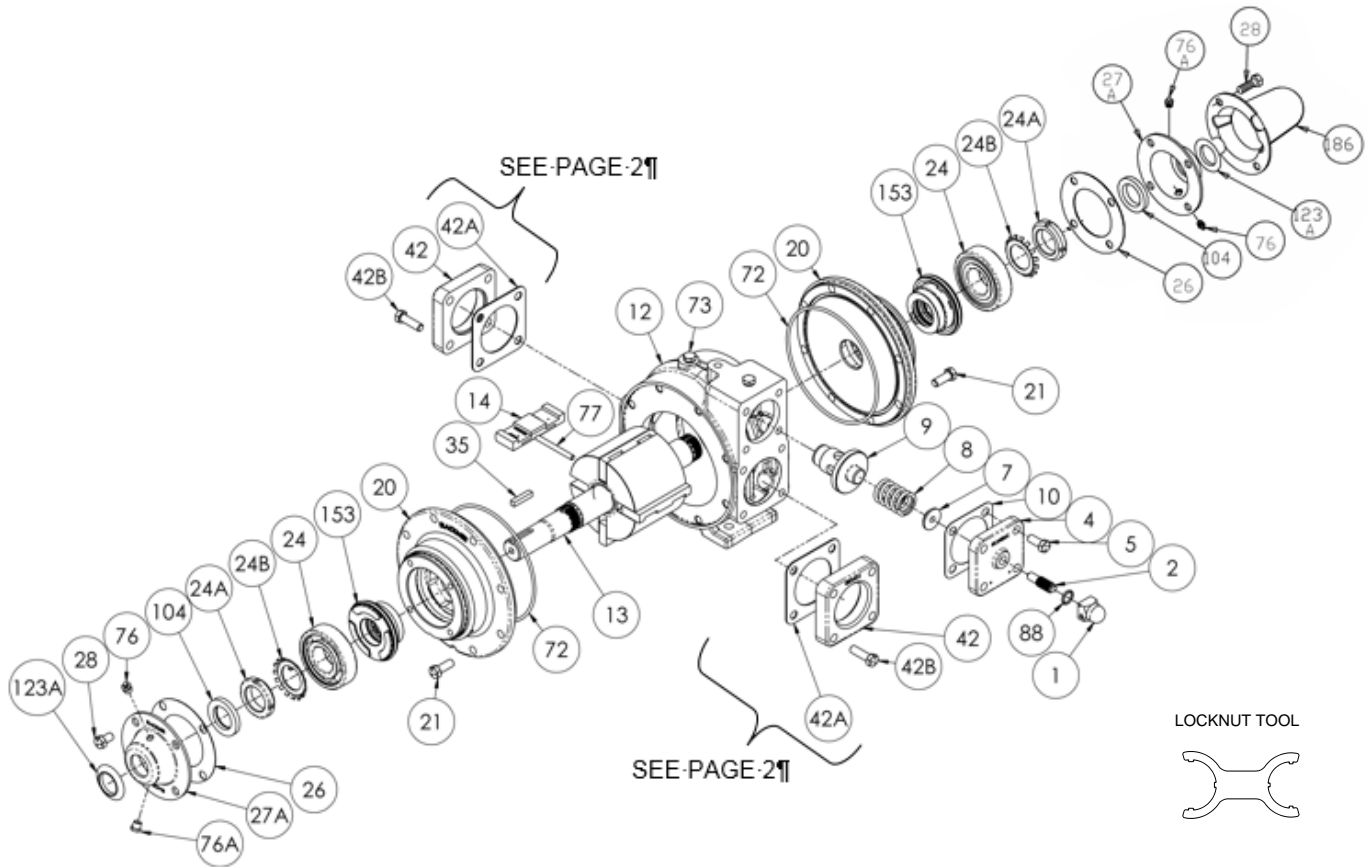
# BLACKMER PARTS LIST

## PUMP MODELS: TXDI2A 180° PORTS

(Double Ended Shafts)

961416      **PARTS LIST**  
Page 1 of 2      **201-A06**

|           |           |
|-----------|-----------|
| Section   | 201       |
| Effective | July 2016 |
| Replaces  | New       |



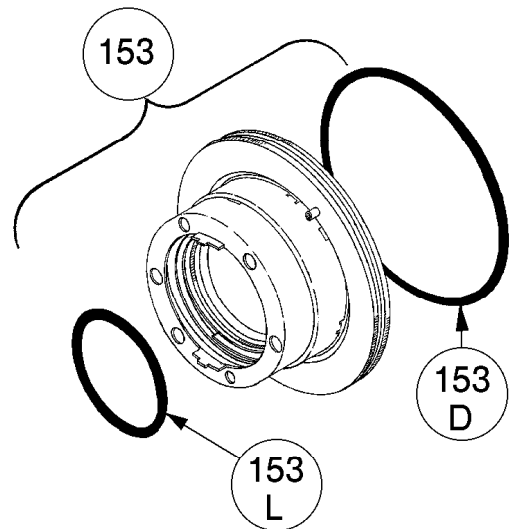
| Ref. No. | Description  | Parts Per Pump | Part No.                             | Ref. No. | Description  | Parts Per Pump | Part No.            |
|----------|--|----------------|--------------------------------------|----------|--|----------------|---------------------|
| 1        | Cap – Relief Valve (R/V)   | 1              | 411453                               | 24B      | Lock washer - Bearing                                      | 2              | 903522              |
| 2        | Adjusting Screw – R/V  | 1              | 431401                               | 26       | Gasket – Bearing Cover                                     | 2              | <sup>1</sup> 381406 |
| 4        | Cover – R/V  | 1              | 411401                               | 27A      | Bearing Cover  | 2              | 041431              |
| 5        | Capscrew – R/V Cover   | 3              | 920316                               | 28       | Capscrews – Bearing Cover                                  | 8              | 920285              |
| 5A       | Capscrew w / Hole – R/V Cover  | 1              | 920310                               | 35       | Key – Shaft Square   | 1              | <sup>1</sup> 909209 |
| 7        | Spring Guide – R/V   | 1              | 423955                               | 42 –     | Flanges, Flange Gaskets / O-rings,<br>and Flange Capscrews |                | See<br>Backside     |
| 8        | Spring – R/V (36-50 psi)<br>Spring – R/V (51-75 psi)<br>Spring – R/V (76-110 psi) (Std.)<br>Spring – R/V (111-125 psi) | 1              | 471415<br>471420<br>471425<br>471428 | 42C      |  |                |                     |
| 9        | Valve – R/V <sup>5</sup><br>Valve – R/V (Ni Plated)  | 1              | 451417<br>451415                     | 72       | O-Ring – Head (FKM)  | 1              | <sup>1</sup> 701914 |
| 10       | Gasket – R/V Cover   | 1              | <sup>1</sup> 531403                  | 72       | O-Ring – Head (Buna-N)                                     | 2              | <sup>1</sup> 701947 |
| 12       | Cylinder   | 1              | 02143                                | 73       | Gage Plug  | 2              | 908198              |
| 13A      | Rotor & Shaft – Double Ended   | 1              | <sup>2</sup> 261411                  | 76       | Grease Fitting   | 2              | 317815              |
| 14       | Vane – Duravane  | 4              | <sup>1</sup> 091419                  | 76A      | Grease Relief Fitting                                      | 2              | 701992              |
| 20       | Head (Std.)<br>Head with Drain   | 2              | 031425<br>031426                     | 77       | Push Rod   | 2              | <sup>1</sup> 123905 |
| 21       | Capscrews – Head   | 16             | 920331                               | 88       | Gasket – R/V Cap   | 1              | <sup>1</sup> 701981 |
| 24       | Ball Bearing   | 2              | <sup>1</sup> 903156                  | 104      | Grease Seal  | 1 - 2          | <sup>1</sup> 331918 |
| 24A      | Locknut - Bearing  | 2              | 903521                               | 123A     | Dirt Shield  | 1 - 2          | <sup>1</sup> 701480 |
|          |  |                |                                      | 186      | Shaft Protector  | 0 - 1          | 341601              |
|          |  |                |                                      | 186      | Shaft Protector  | 0 - 1          | 341601              |
|          |  |                |                                      |          | Tool - Locknut   |                | 903091              |
|          |  |                |                                      |          | Maintenance Kit, FKM                                       |                | 898956              |
|          |  |                |                                      |          | Maintenance Kit, Buna                                      |                | 898950              |

<sup>1</sup> Included in Maintenance Kit

<sup>2</sup> Includes 24A & 24B

## MECHANICAL SEALS

| REF. NO. | PART NAME   | PARTS PER PUMP | PART NO.            |
|----------|---|----------------|---------------------|
| 153      | Mechanical Seal Complete - Cast Iron Stationary Seat, FKM O-Rings, Carbon Seal Face. (IVCV)                   | 2              | <sup>1</sup> 331655 |
|          | Mechanical Seal Complete - Cast Iron Stationary Seat, Carbon Seal Face, Buna-N O-Rings. (INCN)                |                | <sup>1</sup> 331601 |
|          | Mechanical Seal Complete - Cast Iron Stationary Seat, PTFE O-Ring, Carbon Seal Face w/ PTFE Seal Ring. (IACT) |                | 331673              |
| 153D     | O-Ring – Stationary (FKM)   | 2              | 701921              |
|          | O-Ring – Stationary (Buna-N)  |                | 701934              |
|          | O-Ring – Stationary (PTFE)  |                | 702056              |
| 153L     | O-Ring – Rotating (FKM)   | 2              | 701980              |
|          | O-Ring – Rotating (Buna-N)  |                | 701922              |
|          | Seal Ring – Rotating (PTFE)   |                | **                  |

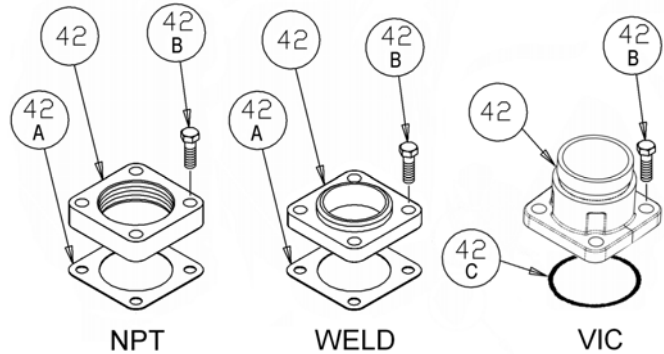


<sup>1</sup> Included in Maintenance Kit

\*\* PTFE Rotating Seal Ring is not available as a separate part.

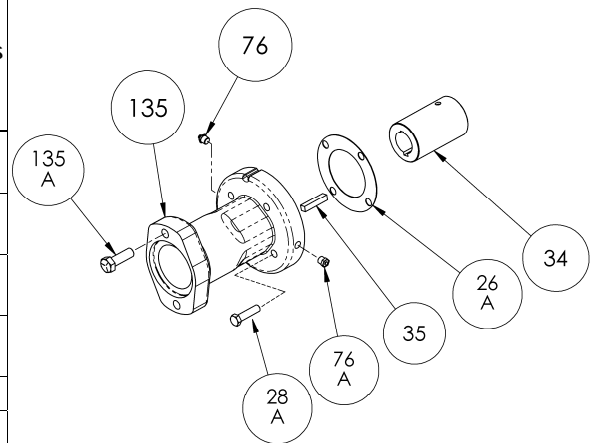
## FLANGES

| REF. NO. | PART NAME                          | PARTS PER PUMP | PART NO.            |
|----------|------------------------------------|----------------|---------------------|
| 42       | Flange – 2" NPT                    | 1 – 2          | 651411              |
|          | Flange – 2" Weld                   |                | 654405              |
|          | Flange – 2" Victaulic              |                | 654408              |
| 42A      | Gasket – Flange, NPT and Weld      | 0 – 2          | <sup>1</sup> 381421 |
| 42B      | Capscrews – 2" NPT Flange          | 4 – 8          | 920351              |
|          | Capscrews – Victaulic Flanges      |                | 920331              |
| 42C      | O-Ring – Victaulic Flange (Buna-N) | 0 – 2          | 702004              |
|          | O-Ring – Victaulic Flange (FKM)    |                | 702086              |
|          | O-Ring – Victaulic Flange (PTFE)   |                | 702078              |



## OPTIONAL HYDRAULIC MOTOR ADAPTER

| REF. NO.  | PART NAME  | PARTS PER PUMP | PART NO. 1-1/4" Hyd Motor Shaft | PART NO. 1" Hyd Motor Shaft | PART NO. 1" H-Series Hyd Motor Shaft |
|-----------|--|----------------|---------------------------------|-----------------------------|--------------------------------------|
| See Below | <b>Hydraulic Motor Adapter Kit</b>                       | See Below      | 891458                          | 891205                      | 891464                               |
| 26A       | Gasket – Hydraulic Motor Adapter                         | 1              | 383940                          | 383940                      | 383940                               |
| 28A       | Capscrew – Hydraulic Motor Adapter / Head                | 4              | 920369                          | 920369                      | 920369                               |
| 34        | Coupling w/ Setscrew – for straight key hyd. motor shaft | 1              | 906967                          | 906966                      | 906966                               |
| 35        | Key – Coupling   | 1              | 909184                          | N/A                         | N/A                                  |
| 76        | Grease Fitting   | 1              | 317815                          | 317815                      | 317815                               |
| 76A       | Grease Relief Fitting                                    | 1              | 701992                          | 701992                      | 701992                               |
| 135       | Hydraulic Motor Adapter – SAE A Flange                   | 1              | 041828                          | 041827                      | 041807                               |
| 135A      | Capscrew – Adapter / Motor                               | 2              | 920510                          | 920510                      | 920510                               |



\* Hydraulic Motor Adapter Kits shipped prior to Spring 2002 were of a two piece design – refer to page 206-B00.



Tank Truck Service & Sales, Inc.  
Warren, Michigan www.tanktruckservice.com 800-482-2678